



FMC-1000M

10/100/1000Base-T to 1000Base-X
Web Smart OAM Managed Converter

3 Simple Media Converter

The FMC-1000M family are Gigabit Ethernet 10/100/1000Base-T to 1000Base-X Web Smart OAM/IP based managed fiber media converters, which provide simple control and setting function on each Ethernet port through out of band network via a Web browser. The FMC-1000M media converters give you the fiber cabling connector, Both multi-mode and single mode converter models are available as well as BiDi which allows bi-directional transmissions using only a single fiber cable. Auto-negotiation will automatically tailor to convert both half-duplex and full-duplex signals, according to IEEE802.3u standards. LED indicators signal the power status of the converter, UTP port speed, Link, and duplex status, FX port Link and duplex status.

Features

- 10/100/1000Base-T to 1000Base-X Converter
- Auto-Cross over for MDI/MDIX in TP port
- Auto-Negotiation or Manual mode in TP port
- Supports flow control Enable or Disable
- Web management on stand-alone.
- Supports 802.3ah-OAM/IP in-band management
- Supports Jumbo Frame 9K Packet, Ingress/Egress Bandwidth control
- Supports Link Fault Pass Through (LFP) and Auto Laser Shutdown (ALS)
- Firmware upgrade via Web, Dying gasp (remote power failure detection)

FMC-1000M-AD



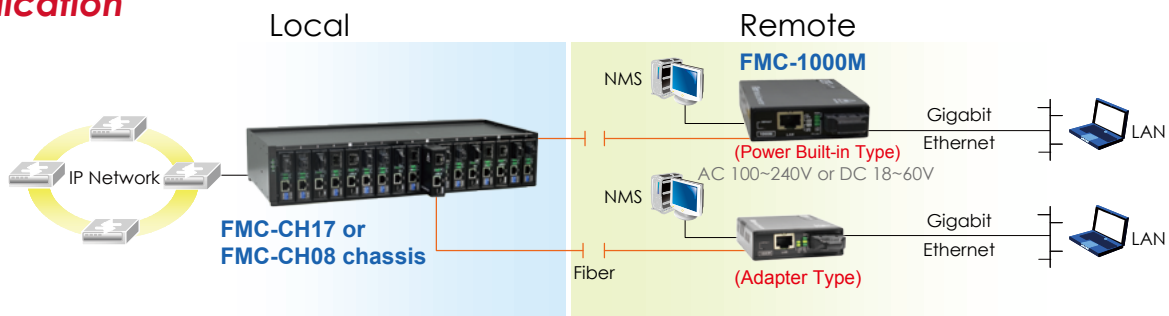
- Metal Chassis
- Power built-in type: AC + DC
- Dimension: 198x 135x 308mm (DxWxH)

Specifications

Optical Interface	Connector	1x9 (SC, ST, FC)
	Data rate	1000Mbps
	Duplex mode	Full duplex
	Fiber	MM 50/125µm, 62.5/125µm SM 9/125µm
	Distance	MM 550m, SM 20/40km WDM 20/40km
	Wavelength	MM 1310nm, SM 1310, 1550nm WDM 1310Tx/1550Rx (Type A) 1550Tx/1310Rx (Type B)
Electrical Interface	Connector	RJ-45
	Data rate	10Mbps, 100Mbps, 1000Mbps
	Duplex mode	Half / Full duplex
	Cable	10Base-T Cat.3, 4, 5, UTP 100Base-TX Cat.5, 5e or higher
Standards	IEEE 802.3, IEEE 802.3u IEEE 802.3ab, 802.3z	

Indications	LED (Power, FX-Link, FX Speed, LAN Speed, LAN Link)
Power Input	Adapter Type: DC 12V Power Built-in Type : AC 100 ~ 240V, DC 18 ~ 60V
Power Consumption	< 4W
Dimensions (D x W x H)	Adapter Type : 108 x 73.4 x 23mm (FMC-1000M)-Plastic Power Built-in Type : 135 x 73.4 x 23mm (FMC-1000M-AC or DC)-Plastic 198 x 135 x 308mm (FMC-1000M-AD)-Metal
Weight	Adapter Type : 120g (FMC-1000M) Power Built-in Type : 140g (FMC-1000M-AC or DC) 1.2kg (FMC-1000M-AD)
Temperature	0 ~ 50°C (Operating), -10 ~ 70°C (Storage)
Humidity	10 ~ 90% non-condensing
Certification	CE, FCC, RoHS compliant
MTBF	65,000 hrs

Application



Ordering Information

Model Name	Description
FMC-1000M	10/100/1000Base-T to 1000Base-X Web Smart OAM/IP Managed Media Converter Adapter Type
FMC-1000M-AC, DC	10/100/1000Base-T to 1000Base-X Web Smart OAM/IP Managed Media Converter with AC or DC Power
FMC-1000M-AD	10/100/1000Base-T to 1000Base-X Web Smart OAM/IP Managed Media Converter with AD Power
Connector Type	Connectivity Distance
SC	001: 500m 002: 2km S/M 010: 10km 020: 20km 040: 40km
	20A: WDM 20km A type 20B: WDM 20km B type
	40A: WDM 40km A type 40B: WDM 40km B type
	80A: WDM 80km A type 80B: WDM 80km B type
	120A: WDM 120km A type 120B: WDM 120km B type

Power Type
FMC - 1000M - □□
 Example: FMC - 1000M - DC